

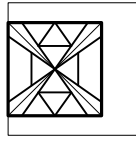
Stellated Rhombic Dodecahedron Puzzle

Crease Pattern Instruction.

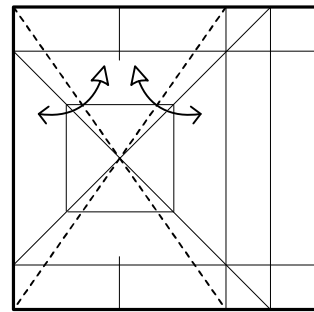
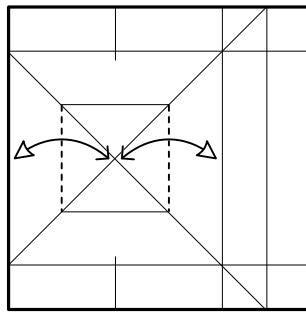
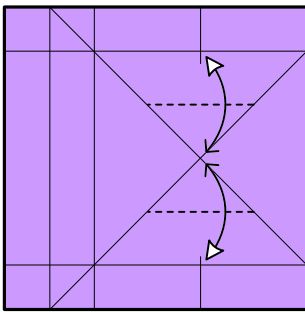
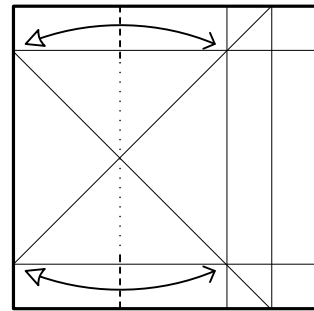
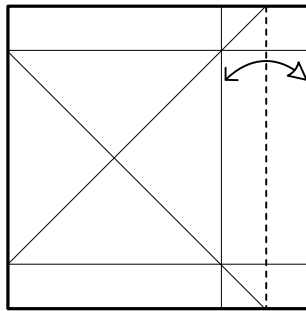
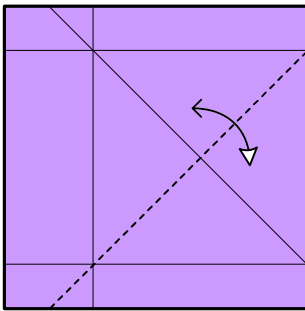
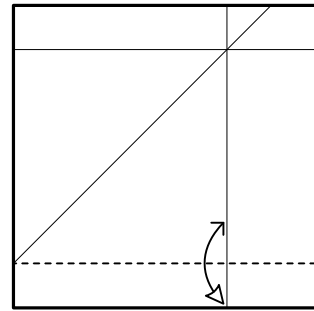
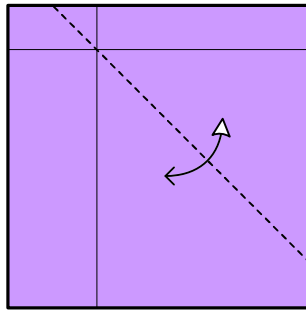
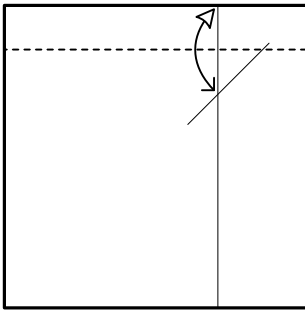
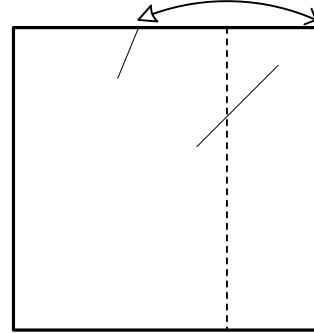
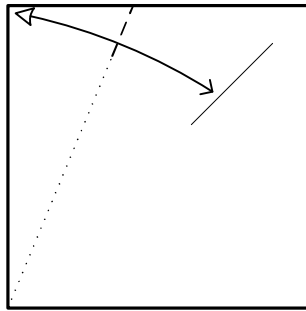
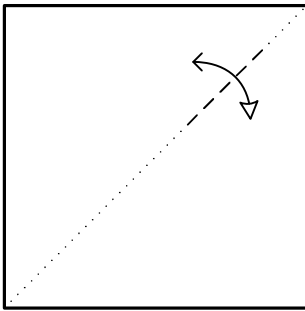
Designed by **Gadi Vishne**

Copyright ©2007. All Rights Reserved.

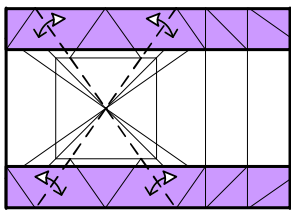
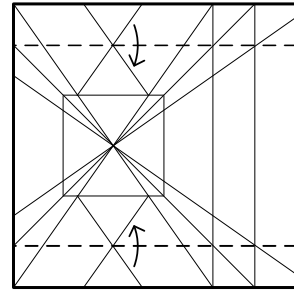
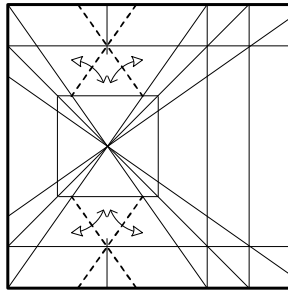
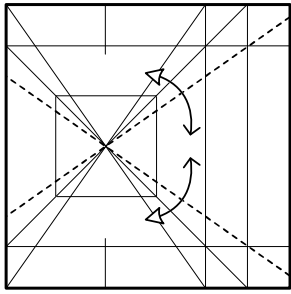
<http://www.origadi.com>



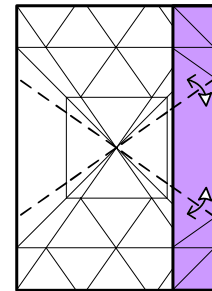
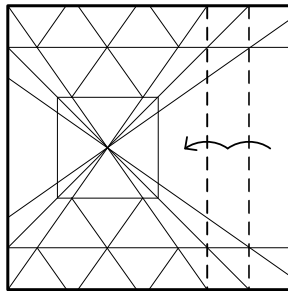
$\times 6 =$



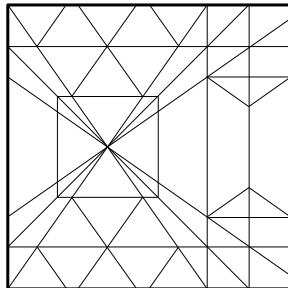
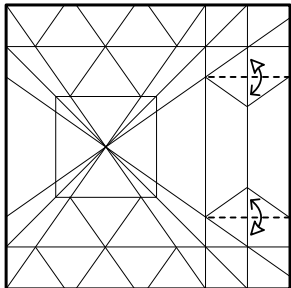
Stellated Rhombic Dodecahedron Puzzle



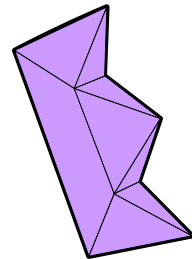
Fold and unfold along the exists creases



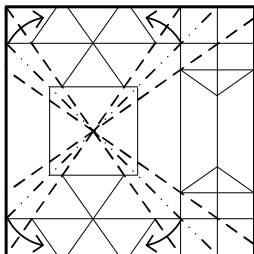
Fold and unfold along the exists creases



The Crease Pattern

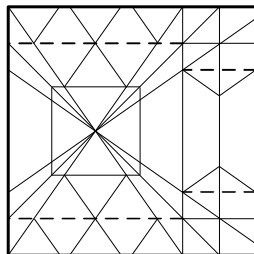


Collapsing guidelines:



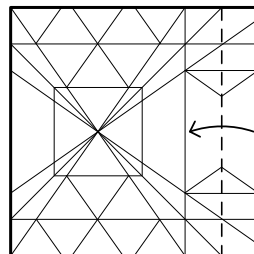
Step 1

Create pyramid

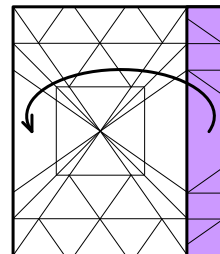


Step 2

Robust the edges



Step 3



Step 4

Create the shape, and close it.

